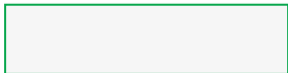
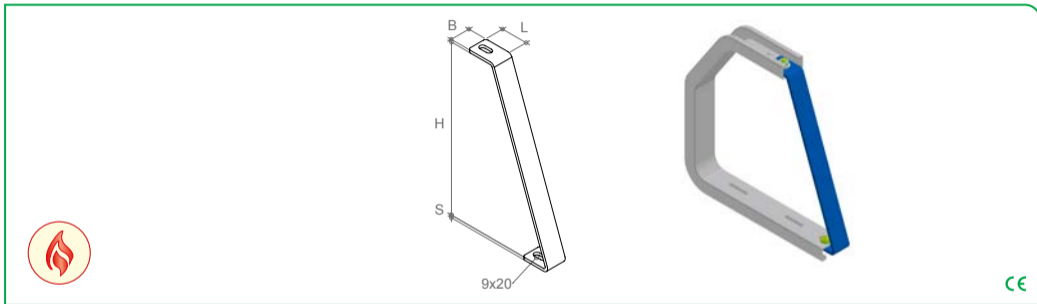


BARRA DI CHIUSURA PER STAFFA A BILANCIERE *Closing plate for balance bracket*



| S | I | Codice/ Code | Δ kg/pz |
|-----------|-----------|-----------------|------------|
| A0 | 8C | | 0,32 |

| B mm | H mm | L mm | S mm | α mm | Foro / Hole Ø |
|---------|---------|---------|---------|---------|------------------|
| 30 | 250 | 40 | 4,0 | 70° | 9x20 |

| Δ kg/pz | Z | Codice/ Code |
|------------|----------------|-----------------|
| 0,33 | A0 Z 8C | |

Compatibile con staffe L ≥ 250 mm, bulloneria M8 non inclusa / Compatible with brackets L ≥ 250 mm, M8 fixing hardware not included

▣ *Scegli il materiale/ Choose the material*