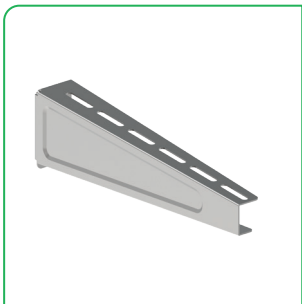


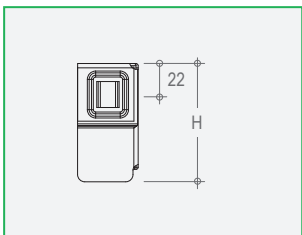
MENSOLA 52S STAMPATA 52S pressed bracket



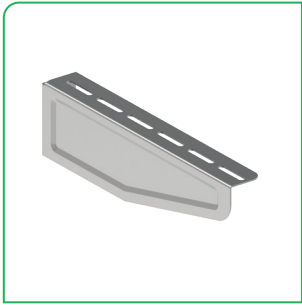
Art. B4Q41F

IEC 61537

1daN = 10 N = 1,0197 kg = 2,2481 lb



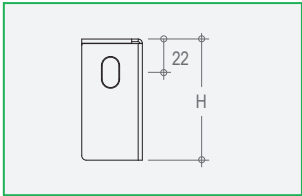
S	Codice/ Code	Δ kg/pz	B mm	H mm	L mm	S mm	P daN	f mm	Z	Codice/ Code	Δ kg/pz
A0 S	52S5X100K	0,15	100	60	110	1,50	120	2,0	A0 Z	52S5X100K	0,16
A0 S	52S5X150K	0,20	150	60	160	1,50	120	3,0	A0 Z	52S5X150K	0,22
A0 S	52S5X200K	0,29	200	80	210	1,50	120	4,5	A0 Z	52S5X200K	0,31
A0 S	52S5X250K	0,35	250	80	260	1,50	120	7,0	A0 Z	52S5X250K	0,39
A0 S	52S5X300K	0,43	300	82	320	1,50	150	8,5	A0 Z	52S5X300K	0,47
A0 S	52S5X400K	0,49	400	82	420	1,50	150	9,0	A0 Z	52S5X400K	0,53
A0 S	52S5X500L	1,05	500	115	510	1,75	120	11,5	A0 Z	52S5X500L	1,15
A0 S	52S5X600M	1,44	600	115	610	2,00	120	15,0	A0 Z	52S5X600M	1,59



Art. B4Q41F

IEC 61537

1daN = 10 N = 1,0197 kg = 2,2481 lb



I	Codice/ Code	Δ kg/pz	B mm	H mm	L mm	S mm	P daN	f mm	Y	Codice/ Code	Δ kg/pz
A0 I	52S5X100K	0,15	100	60	110	1,50	120	3,5	A0 Y	52S5X100K	0,15
A0 I	52S5X150K	0,20	150	60	160	1,50	120	4,0	A0 Y	52S5X150K	0,20
A0 I	52S5X200K	0,29	200	80	210	1,50	120	5,0	A0 Y	52S5X200K	0,29
A0 I	52S5X250K	0,35	250	80	260	1,50	120	6,0	A0 Y	52S5X250K	0,35
A0 I	52S5X300L	0,49	300	85	310	1,50	(*)	7,0	A0 Y	52S5X300K	0,43
			400	115	410	1,50		8,5	A0 Y	52S5X400K	0,72

▣ Scegli il materiale/ Choose the material

