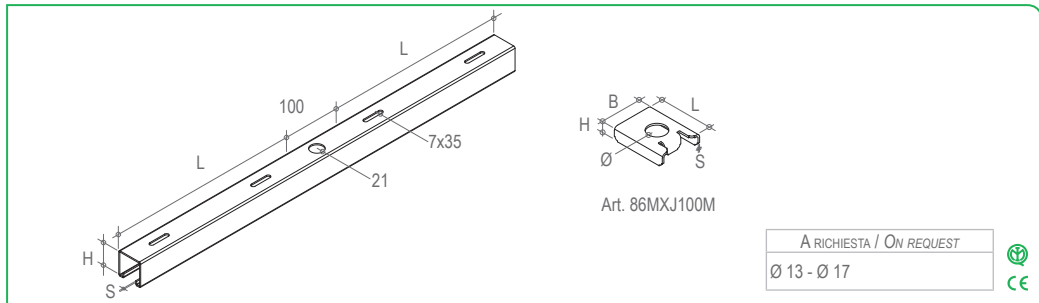
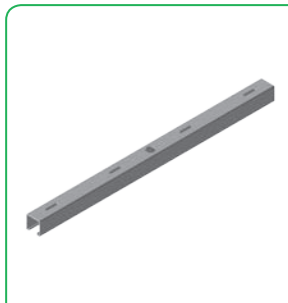
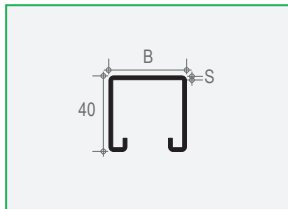


MENSOLA BILANCIATA 88-UR1/40x40 e PIASTRINA DI FISSAGGIO 86M 88-UR1/40x40 balanced bracket and 86M fixing plate



A RICHIESTA / ON REQUEST
Ø 13 - Ø 17



S	V	I	Codice/ Code	Δ kg/pz
A0	□	88M5I200M200	1,06	
A0	□	88M5I250M250	1,27	
A0	□	88M5I300M300	1,48	

B mm	H mm	L mm	S mm	Foro / Hole	
				Ø	
40	40	200	2,0	21	
40	40	250	2,0	21	
40	40	300	2,0	21	

Δ kg/pz	Z	Codice/ Code
1,11	A0 Z	88M5I200M200
1,33	A0 Z	88M5I250M250
1,55	A0 Z	88M5I300M300

S	V	I	Codice/ Code	Δ kg/pz
A0	□	86MXJ100M	0,10	

B mm	H mm	L mm	S mm	Foro / Hole	
				Ø	
47	14	100	2,0	21	

Δ kg/pz	Z	Codice/ Code
0,11	A0 Z	86MXJ100M

□ Scegli il materiale/ Choose the material