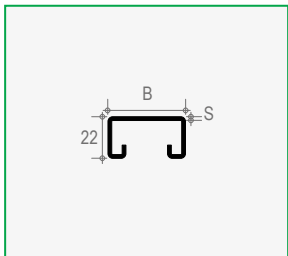
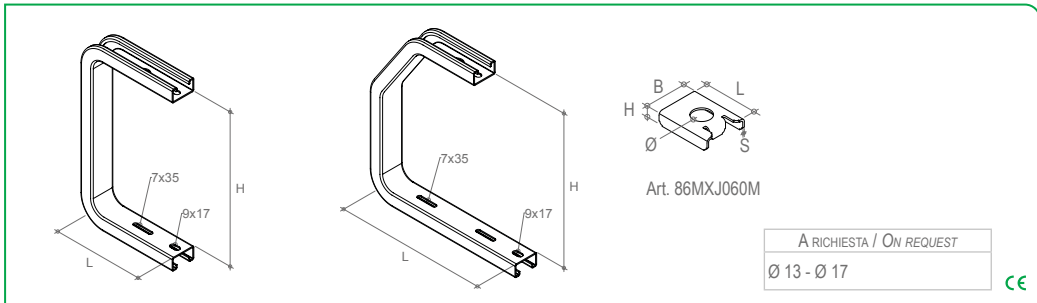


# STAFFA A BILANCIERE 84-UR1/40x22 e PIASTRINA DI FISSAGGIO 86M 84-UR1/40x22 balance bracket and 86M fixing plate



S	V	I	Codice/ Code	Δ kg/pz
A0	□	84M5D150M	0,87	
A0	□	84M5D200M	1,03	
A0	□	84M5D250M	1,01	
A0	□	84M5D300P	1,30	
A0	□	84M5D350P	1,54	

B	H	L	S	Foro / Hole Ø
40,5	150	150	2,0	21
40,5	250	200	2,0	21
40,5	250	250	2,0	21
40,5	250	300	2,0	21
40,5	250	350	2,0	21

Δ kg/pz	Z	Codice/ Code
0,91	A0 Z	84M5D150M
1,08	A0 Z	84M5D200M
1,05	A0 Z	84M5D250M
1,35	A0 Z	84M5D300P
1,61	A0 Z	84M5D350P

S	V	I	Codice/ Code	Δ kg/pz
A0	□	86MXJ060M	0,06	

B	H	L	S	Foro / Hole Ø
47	14	60	2,0	21

Δ kg/pz	Z	Codice/ Code
0,07	A0 Z	86MXJ060M

□ Scegli il materiale/ Choose the material