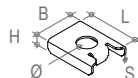
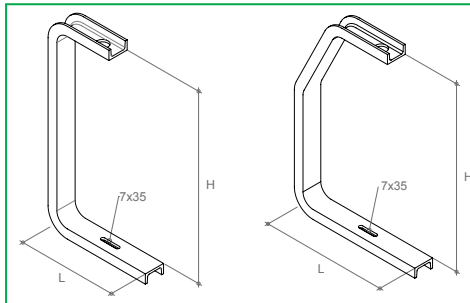


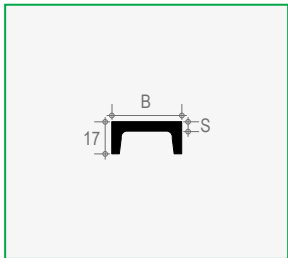
# STAFFA A BILANCIERE 85-U e PIASTRINA DI FISSAGGIO 86M

85-U balance bracket and 86M fixing plate



Art. 86MXJ060M

A RICHIESTA / ON REQUEST
Ø 13 - Ø 17
2° foro di controventatura / 2nd windbracing hole



<b>E</b>	<b>V</b>	Codice/ Code	Δ kg/pz
A0	□	<b>85M4C120S</b>	1,15
A0	□	<b>85M4C170S</b>	1,32
A0	□	<b>85M4C220S</b>	1,40
A0	□	<b>85M4C270S</b>	1,53
A0	□	<b>85M4C320S</b>	1,64

B mm	H mm	L mm	S mm	Foro / Hole Ø
35	320	120	4,0	21
35	320	170	4,0	21
35	320	220	4,0	21
35	320	270	4,0	21
35	320	320	4,0	21

Δ kg/pz	<b>Z</b>	Codice/ Code
1,17	A0 Z	<b>85M4C120S</b>
1,35	A0 Z	<b>85M4C170S</b>
1,43	A0 Z	<b>85M4C220S</b>
1,57	A0 Z	<b>85M4C270S</b>
1,68	A0 Z	<b>85M4C320S</b>

<b>S</b>	<b>V</b>	<b>I</b>	Codice/ Code	Δ kg/pz
A0	□		<b>86MXJ060M</b>	0,06

B mm	H mm	L mm	S mm	Foro / Hole Ø
47	14	60	2,0	21

Δ kg/pz	<b>Z</b>	Codice/ Code
0,07	A0 Z	<b>86MXJ060M</b>

□ Scegli il materiale / Choose the material